

# BREDA

## 24" FRONT LOAD WASHING MACHINE



LUWM81400

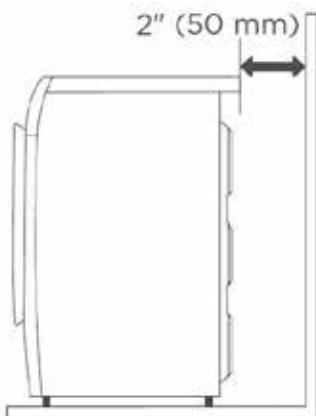
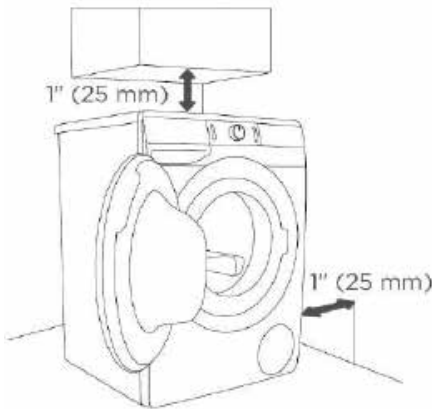


### Features

- Stainless Steel Interior Tub
- 2.3 CuFt Capacity
- 17.6 Lbs Load Capacity
- Brushless DC Motor
- 220V Power Plug (Plugs into dryer)
- 16 Wash Programs
- 7 Auxiliary Functions
- Energy Star
- 2 Year Full Parts + Labor Warranty
- Stacking Kit Included

### Dimensions:

- Height: 33.5"
- Width: 23.5"
- Depth: 24" - Machine Depth  
25.5" - Door Closed  
44.5" - Door Open



FEATURES	
Capacity cu. ft.	2.3
Load Capacity	17.6 lbs / 8 kg
Drum Material	Stainless Steel
Controls	Electronic
Number of Programs	16 Programs: Auto Wash, Allergy Care, Heavy Duty x 4 Settings (Extra Hot, Hot, Warm & Cold) Cotton x 4 Settings (Extra Hot, Hot, Warm & Cold), Mixed, Down Wear, Active Wear, Spin + Drain, Rinse, Sanitize Tub
Auxiliary Functions	EcoCare, TimeCare, Water+, Prewash & Spin
RPM	1400
Motor	Brushless
Time Delay	Yes
Child Lock	Yes
Adjustable Feet	Yes
Control Type	Knob & Digital
Stacking Kit	Included
Drain Hose	Included
Plug	Included
TECHNICAL	
Energy Star Qualified	Yes
Energy consumption	100 kWh/year
RoHs compliant	Yes
Height	33 1/2" (850 mm)
Width	23 1/2" (600 mm)
Depth	24" (610 mm) - Machine Depth 25 1/2" (640 mm) - Door Closed 44 1/2" (1125 mm) - Door Open
Weight	172.8lbs / 78kg
Electrical connection:	Power Plug (Plugs into dryer)
Electric current supply	220-240 V / 60 Hz